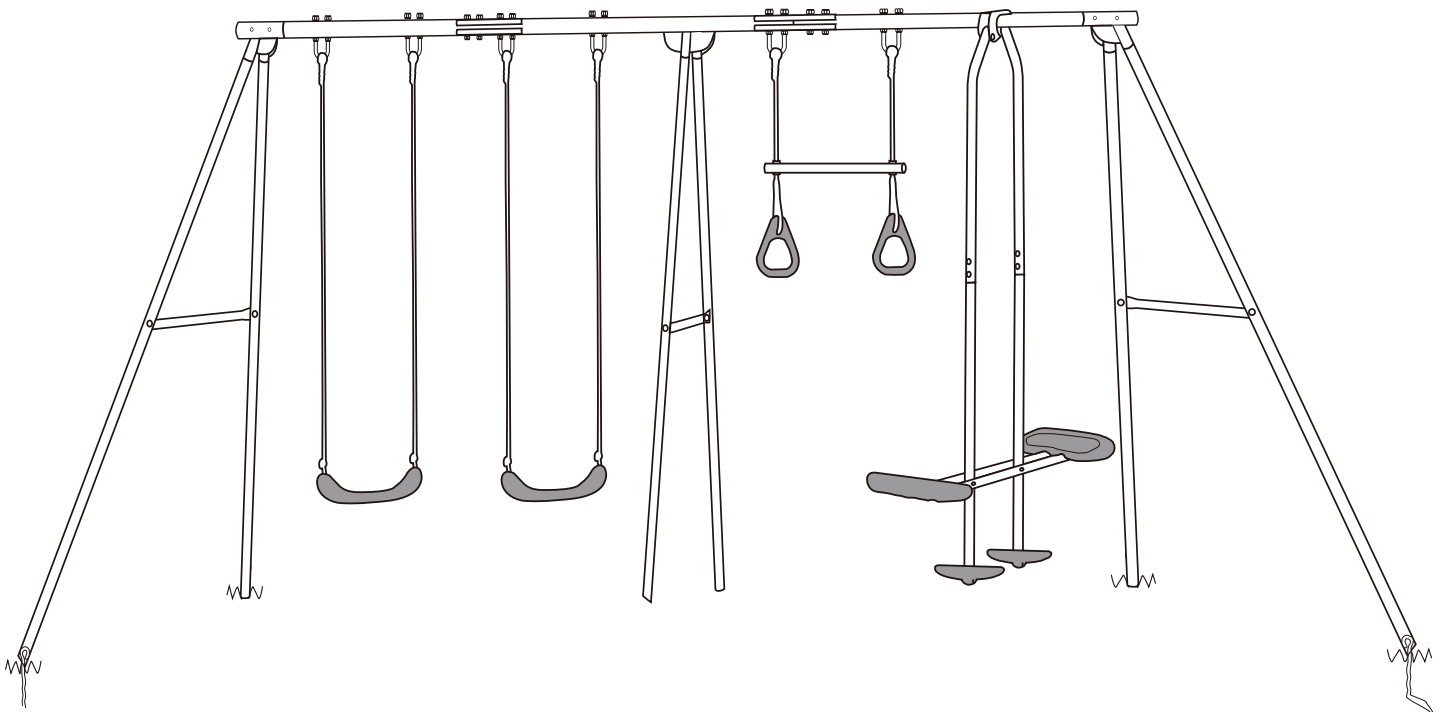




4 Unit Swing Set

S002025

Instruction Manual



WARNING: To ensure your safety, please do not attempt to assemble this swing set without reading this instruction manual carefully. Failure to comply with this warning may result in injury and/or property damage.

- Prior to assembly, this swing set includes small parts/accessories that are not suitable for children under 3 years of age as they may cause a choking hazard.
- This swing set should be assembled by 2 adults.
- Only use this swing set on a soft, flat level surface.
- **This swing set has a maximum user weight of 34kg per unit/seat. The total weight on the swing set at any time must not exceed 170kg.**
- **Only one child per unit/seat at any time.**
- This swing set is suitable for children 3-9 years of age.
- This swing set is designed for outdoor domestic use only, it is not intended for commercial use in play centres, nurseries etc.

For parts and service enquiries, please contact Action Spares on 1800 465 070 or e-mail service@actionspares.com.au

Contents

- 3** Important Safety Information
- 5** Parts List
- 6** Hardware List
- 7** Assembly Instructions
- 14** Warranty Information

Important Safety Information


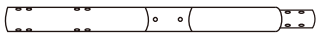




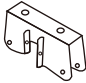
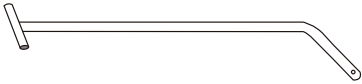
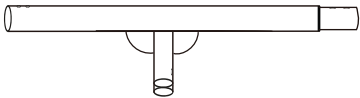
To reduce the risk of serious injury, read the entire manual before you assemble or use this swing set. In particular, please note the following safety precautions. Please keep this manual in a safe place for future reference. Failure to assemble and maintain this product correctly may cause injury to the user.

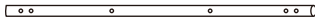


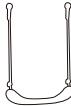
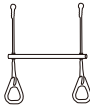

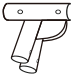

1. Prior to assembly, this swing set includes small parts/accessories that are not suitable for children under 3 years of age as they may cause a choking hazard.
2. This swing set should be assembled by 2 adults.
3. This swing set is designed for domestic use only, it is not intended for commercial use in play centres, nurseries, etc.
4. This swing set is designed for use by children 3-9 years of age.
5. This swing set has a maximum user weight of 34kg per unit/seat, totalling 170kg across the entirety of the swing set.
6. Do not install this product over concrete, asphalt or any other hard surface.
7. Do not orientate the swing set directly towards the sun.
8. There should be at least 2m of space surrounding the swing set from any structure of obstruction such as a fence, garage, house, wall, overhanging branches, laundry lines, electrical wires, etc.
9. Regularly check the swing set for wear and damage, replace any worn or damaged parts immediately. Remove the swing set from use until replacement parts are fitted. Check all hardware regularly and tighten when required.
10. Do not overtighten the nuts and bolts. Use hand tools only, do not use power tools as this can weaken the connection points.
11. The minimum distance between any swing and the ground is 350mm.
12. Swings must not exceed an angle of 60 degrees from the ground.
13. This swing set must be anchored firmly into the ground using the included ground pegs.
14. Children must be supervised by an adult at all times when the swing set is in use.
15. Only 1 child should use each swing (unless specifically designed for 2 children) at any time.
16. Do not stand on the seats when using the swing set.
17. Do not use the swing set when it is wet as it will become slippery and serious injury may result.
18. Do not climb on or jump from the swing set when it is in motion.
19. Do not climb or hang on the frame of the swing set.
20. Do not allow additional foreign objects to be attached or used with the swing set.

Important Safety Information (cont)

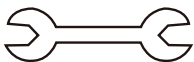
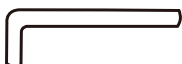
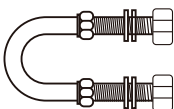




21. Do not walk close to, in front of or behind the swing set when in use as moving units can cause serious injury.
22. Do not wear apparel such as hats with straps, helmets, scarves, garments with pull strings or any other item of loose clothing while using the swing set as children can get trapped and may be unable to free themselves causing serious injury.
23. Do not twist swing ropes or wrap them over the top bar.







Parts List

Part No.	Description	Qty
1	 Left Top Bar	1
2	 Right Top Bar	1
3	 Upper Leg	6
4	 Middle Bar	1
5	 Lower Leg A	4
6	 Side Bar	2
7	 Glide Rider Bracket	1
8	 Glide Rider Handle Tube	2
9	 Centre Top Bar	1

Part No.	Description	Qty
10	 Glide Rider Seat Tube	2
11	 Glide Rider Seat	2
12	 Lower Leg B	2
13	 Swing Seat	2
46	 Trapeze Swing	1
47	 Ground Peg	4
50	 Corner Bracket	2
51	 Top Bar Bracket	4

Hardware List

Part No.	Description	Qty
14	 Spanner	1
15	 Allen Key	1
S1	 M8 U-Bolt	6
F1	 M8x62mm Bolt	4
F2	 M8x53mm Bolt	6
F3	 M8x59mm Bolt	4
F4	 M6x49mm Bolt	6

Part No.	Description	Qty
G1	 M6x47mm Bolt	2
G2	 M8x42mm Bolt	2
G4	 M8x82mm Bolt	2
G6	 M6x38mm Bolt	8
G8	 Thick Spacer	4
G9	 Thin Spacer	4

Note: Some parts may be supplied pre-assembled.

Ruler - Use this ruler to help correctly identify the hardware



Assembly Instructions

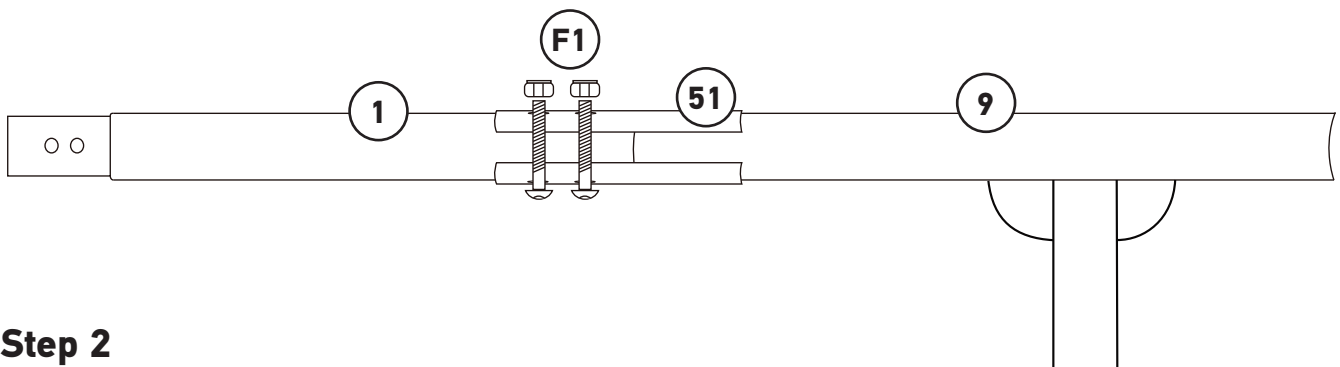
Prior to assembling this swing set, remove all parts from the carton and check to ensure that all parts listed in the Parts List and Hardware List (on pages 5 & 6) are present. If you're missing any of the parts, please call our National Service Centre to have replacement parts sent out prior to beginning assembly (details can be found in the warranty pages at the end of this manual).

Note: It is recommended that 2 adults assemble this swing set.

Step 1

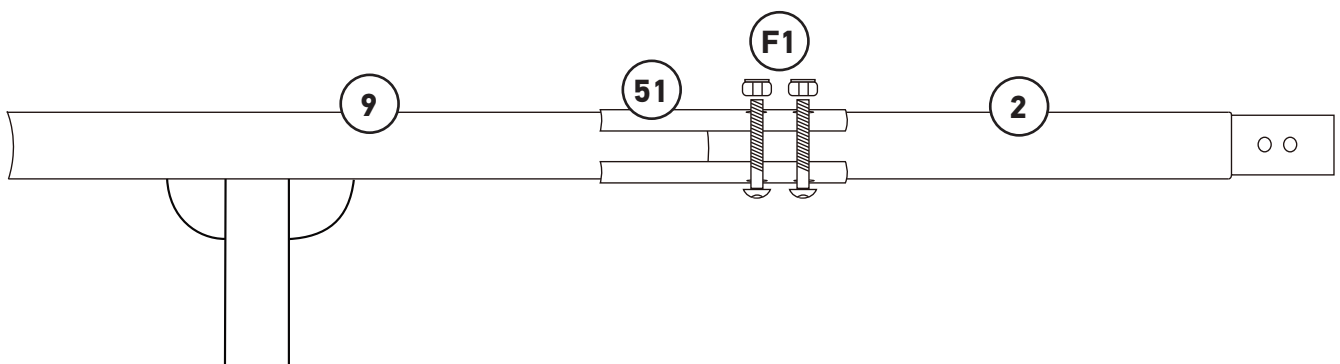
Note: When assembling the swing set, it is recommended that you only tighten the hardware enough so that it is finger tight. Once the swing set is completely assembled and moved into the location in which it will be used, insert the ground pegs and completely tighten the hardware. This will allow the swing set to adjust to the surface and reduce the "sway" of the unit.

Connect Left Top Bar (1) and Centre Top Bar (9). Place 2 x Top Bar Brackets (51) over the top and bottom of Left Top Bar (1) and Centre Top Bar (9), secure these into place using 2 x M8 x 62mm Bolts (F1).



Step 2

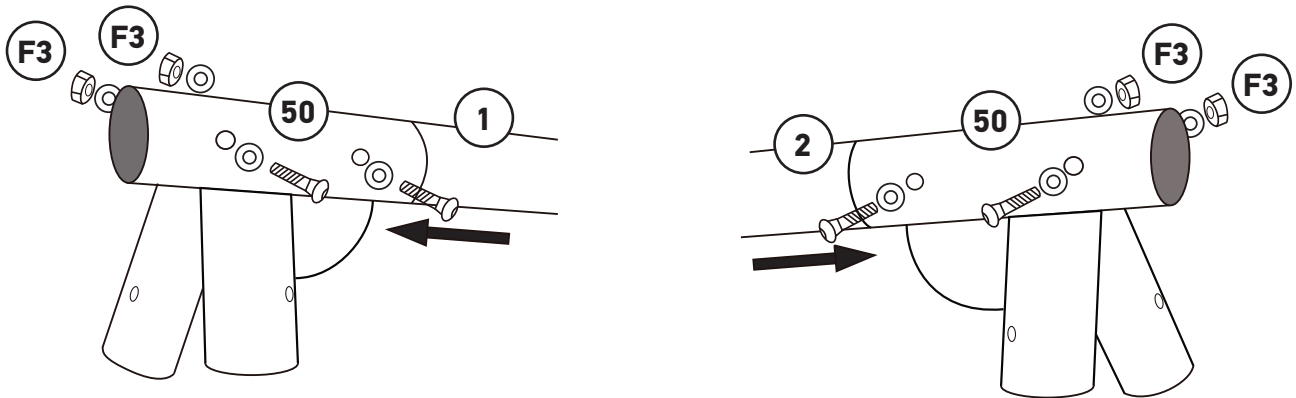
Connect Right Top Bar (2) and Centre Top Bar (9). Place 2 x Top Bar Brackets (51) over the top and bottom of Right Top Bar (2) and Centre Top Bar (9), secure these into place using 2 x M8 x 62mm Bolts (F1).



Assembly Instructions (cont)

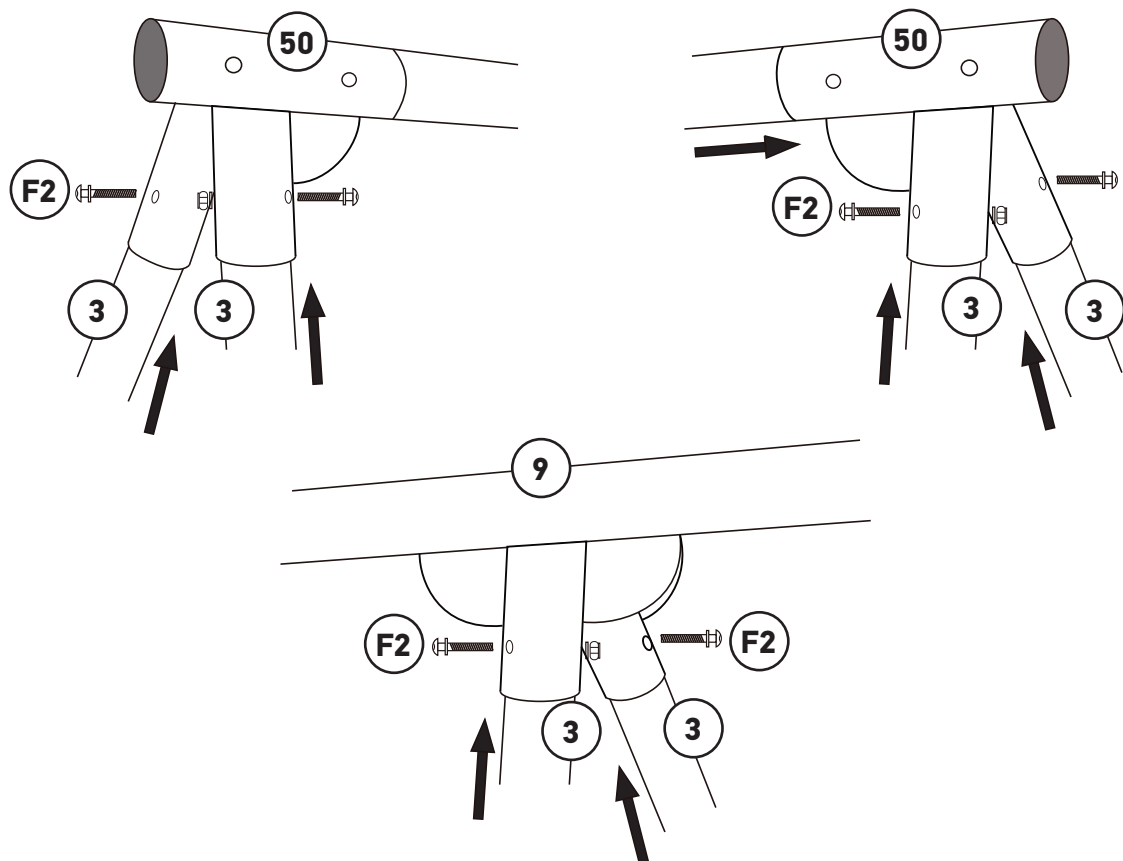
Step 3

Attach 1 x Corner Bracket (50) to Left Top Bar (1) using 2 x M8 x 59mm Bolts (F3). Repeat this for the other side and attach 1 x Corner Bracket (50) to Right Top Bar (2) using 2 x M8x59mm Bolts (F3).



Step 4

Insert 2 x Upper Legs (3) into one of the Corner Brackets (50) and secure these into place using 2 x M8 x 53mm Bolts (F2). Repeat this for the Corner Bracket (50) and bracket located on the Centre Top Bar (9), insert 4 x Upper Legs (3) into the brackets and secure these into place using 4 x M8 x 53mm Bolts (F2).



Assembly Instructions (cont)

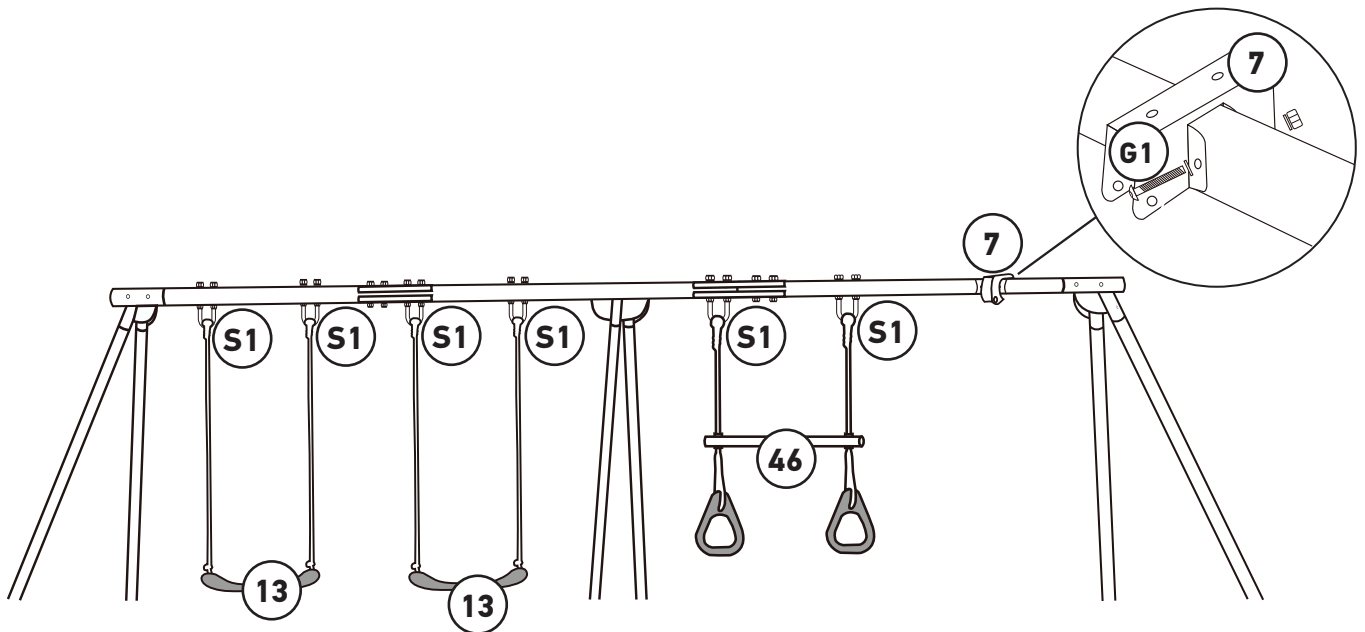
Step 5

Attach 2 x Swing Seat (13) to the left hand side of the top bar using 4 x M8 U-Bolts (S1). Next attach 1 x Trapeze Swing (46) the right hand side of the top bar using 2 x M8 U-Bolts (S1). Finally attach 1 x Glide Rider Bracket (7) to the top bar using 2 x M6 x 47mm Bolts (G1).

Note: 2 x M8 U-Bolts (S1) will be pre-attached to each swing (except the glide rider).

Ensure that at least 3 threads from the M8 U-Bolts (S1) protrude through the top bar when assembling the swing set.

Should the rope come off the bearing during use, stop using the swing seat immediately and place the rope back over the bearing before using the swing seat again.

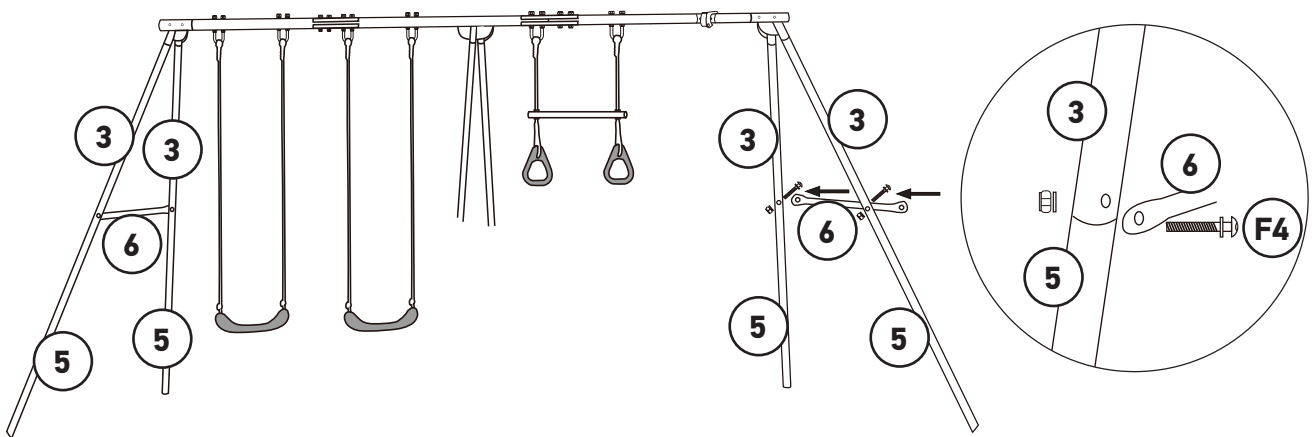


Assembly Instructions (cont)

Step 6

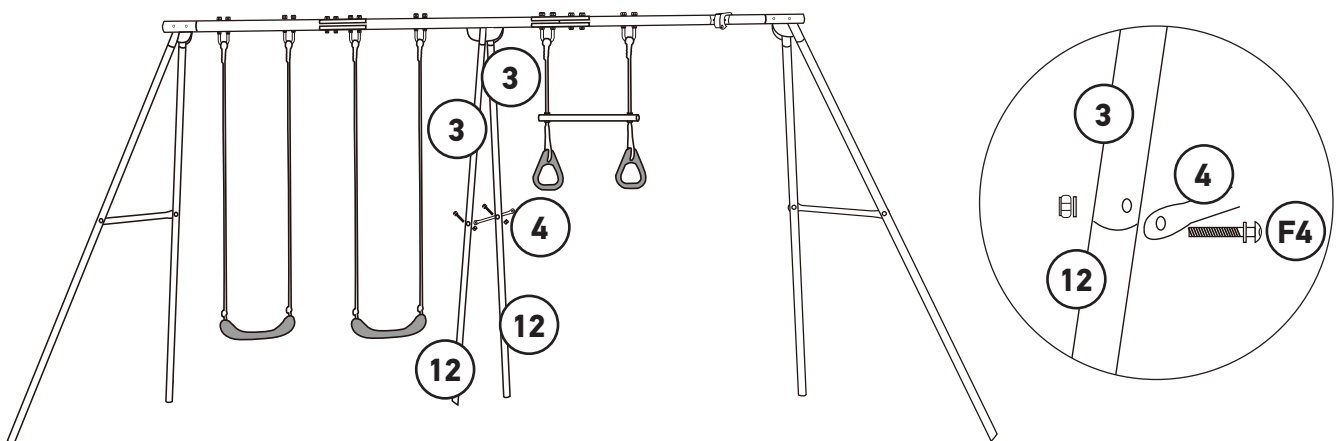
Place 2 x Lower Leg As (5) into the base of 2 x Upper Legs (3) on one side of the swing set, ensuring that the holes in the tubes line up. Take 1 x Side Bar (6) and place it on the outside of the legs, secure the side bar and legs into position using 2 x M6 x 49mm Bolts (F4).

Repeat this for the other side of the swing set, place 2 x Lower Leg As (5) into the base of the 2 x Upper Legs (3) ensuring that the holes in the tubes line up. Take 1 x Side Bar (6) and place it on the outside of the legs, secure the side bar and legs into position using 2 x M6 x 49mm Bolts (F4).



Step 7

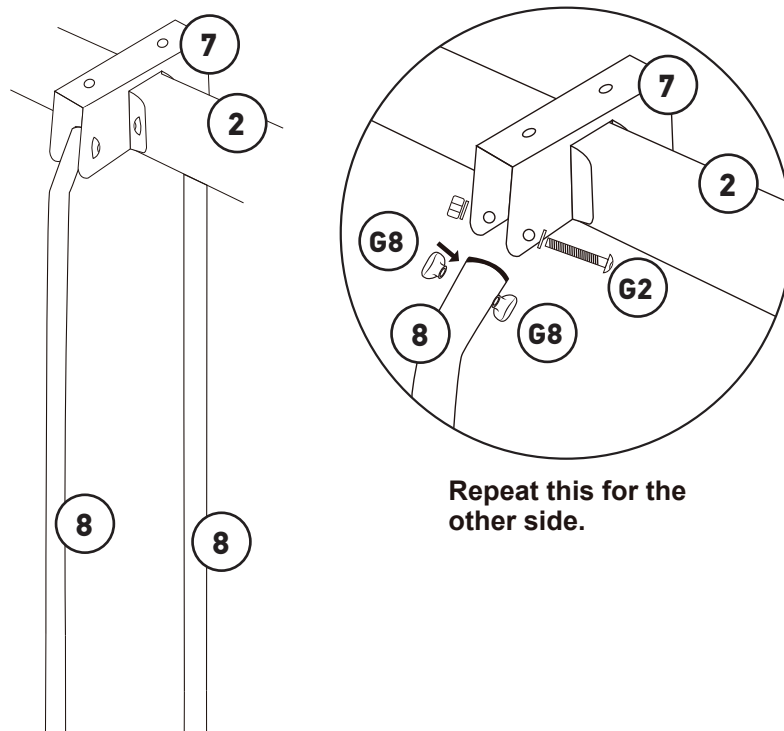
Place 2 x Lower Leg Bs (12) into the base of 2 x Upper Legs (3) in the middle of the swing set, ensuring that the holes in the tubes line up. Take 1 x Middle Bar (4) and place it on either side of the legs, secure the middle bar and legs into position using 2 x M6 x 49mm Bolts (F4).



Assembly Instructions (cont)

Step 8

Place 2 x Thick Spacers (G8) into the grooves at the top of 1 x Glide Rider Handle Tube (8) and attach this to the Glider Rider Bracket (7) using 1 x M8 x 42mm Bolt (G2). Repeat this for the other side, place 2 x Thick Spacers (G8) into the grooves at the top of 1 x Glide Rider Handle Tube (8) and attach this to the Glider Rider Bracket (7) using 1 x M8 x 42mm Bolt (G2).

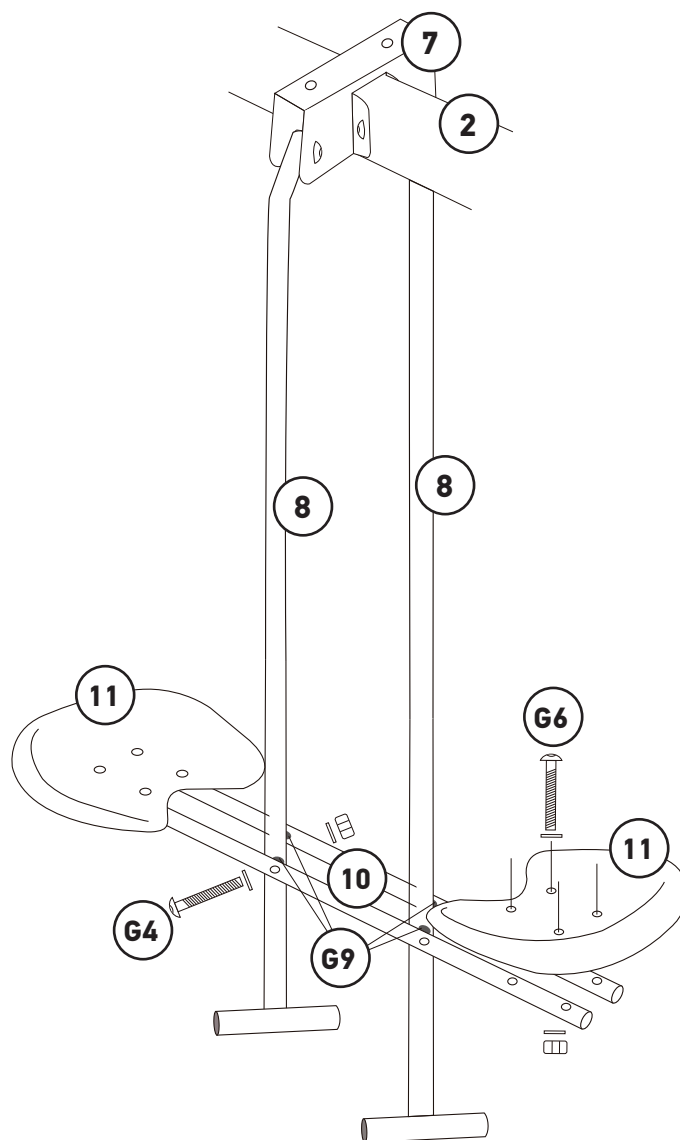


Assembly Instructions (cont)

Step 9

Place 4 x Thin Spacers (G9) into the grooves in the sides of 2 x Glide Rider Seat Tubes (10) and attach these to the Glide Rider Handle Tubes (8) using 2 x M8 x 82mm Bolts (G4).

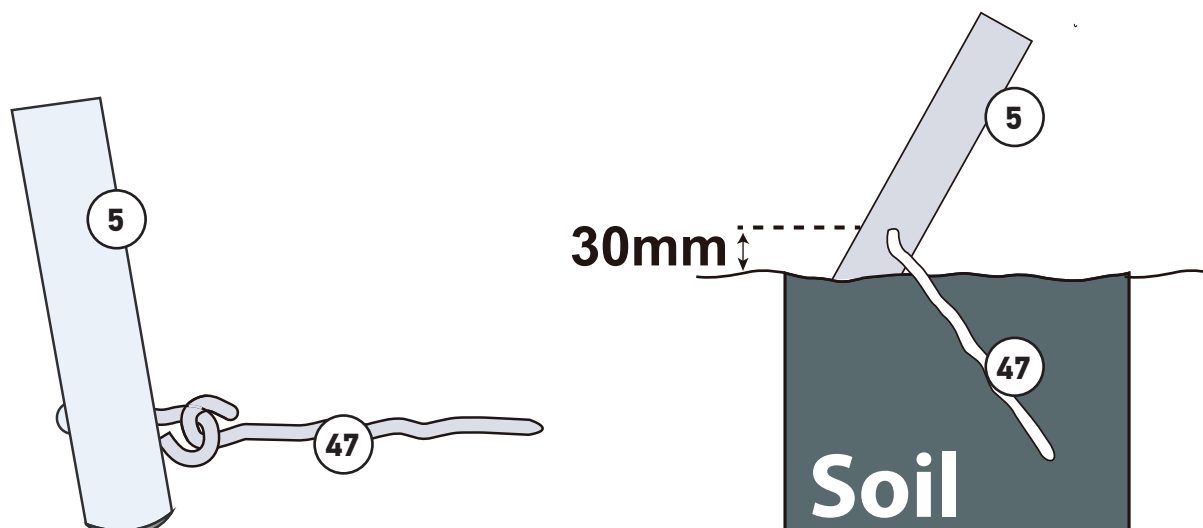
Attach the 2 x Glide Rider Seats (11) to the Glide Rider Seat Tubes (10) using 8 x M6 x 38mm Bolts (G6).



Assembly Instructions (cont)

Step 10

Place the 4 x Ground Pegs (47) through the holes at the base of the Lower Leg As (5) and secure them into place by fixing them into the ground.



Warning: for safety reasons this swing set MUST be anchored into the ground. To carry out this procedure you must hammer the included ground pegs into the ground at the angle shown in the picture below. The ground pegs must pull into hard earth and hold firmly. We highly recommend that the ground pegs be concreted but this is optional. However, if the ground is soft and the ground pegs can easily be pulled out by hand once installed then concreting is essential. Contact our Service Centre for more information if you are unsure regarding the installation of the ground pegs.

Warranty Information

Congratulations on your purchase!

This **Action 4 Unit Swing Set** is warranted to be free from defects in material and workmanship under normal use and service conditions for a period of **2 years** on the frame and **12 months** on all other parts, from the date of purchase of this article. Evidence of unfair usage or incorrect adjustment by the owner will void this promise.

Our goods come with guarantees that cannot be excluded under the Australian Consumer Law. You are entitled to a replacement or refund for a major failure and for compensation for any other reasonably foreseeable loss or damage. You are also entitled to have the goods repaired or replaced if the goods fail to be of acceptable quality and the failure does not amount to a major failure.

The benefits conferred by this warranty are in addition to the consumer guarantees and other rights and remedies in respect of the product which the consumer has under the Australian Consumer law.

Conditions of Warranty

All warranty coverage extends only to the original retail purchaser from the date of purchase. Please keep your receipt, tax invoice or other proof of purchase.

This warranty does not extend to any damage to a product caused by abuse, improper or abnormal usage, or repairs not provided by us or our Service Centre. Nor does this warranty extend to products used for commercial or rental purposes. This warranty does not cover ordinary wear, tear and weathering, failure to follow directions, improper installation, improper maintenance or acts of God (such as damage caused by storms, lightning, heavy winds and by snow or ice).

Making A Warranty Claim

In order to make a claim under this warranty please direct your enquiries to our Service Centre. You can contact them on our **Freecall 1800 465 070** number or send mail to them at National Service Centre: 2/24 Anderson Road, Smeaton Grange, NSW 2567 – if mailing please include your contact details.

A service representative will then assist you in the appropriate action to be taken. For efficient processing of your enquiry please have proof of purchase, the date of purchase and the retailer name you purchased the item from, and the brand on the product. Photos of the product, and scans of receipts, may be requested to assist with your claim.

Warranty Information (cont)

The service centre representative will assess the claim. If:

- 1) **there is a minor fault**, they can offer either a replacement spare part, replacement unit, repair or other suitable remedy.
- 2) **there is a major fault**, they can offer a replacement, repair or suggest you return to the store you purchased it from for a full refund.

Please note: a request for compensation will need documentary evidence of the loss or damage suffered. It will also need to be evidenced that such a loss was a reasonably foreseeable result of a failure to comply with a consumer guarantee under the Australian Consumer Law.

- 3) **The product was damaged through abnormal use**, no refund or repair can be offered.

The sending of replacements, spare parts or the cost of repair carried out will be organized and covered by the Service Centre. If collection of the item is required this will be organized by the Service Centre and at our expense. Do not return any products without authorization as this will be at your expense.

Our sales and service centre has been set up to provide assembly assistance, replacement parts and accessories, and to efficiently handle all warranty related matters. Please note upon receiving your warranty claim our Service Centre will send, via post or email, a repair and refurbished goods or parts notice.

SERVICE CENTRE

Contact details and hours of operation.

Freecall 1800 465 070

9:00am – 4:30pm Monday to Friday (excluding Public Holidays)

9:00am – 3:00pm Saturday

This product is warranted and distributed by:

Action Sports of 48B Egerton St, Silverwater NSW, 2128

Phone: (02) 8799 3500

© 2017 Action Sports Equipment Pty Ltd.